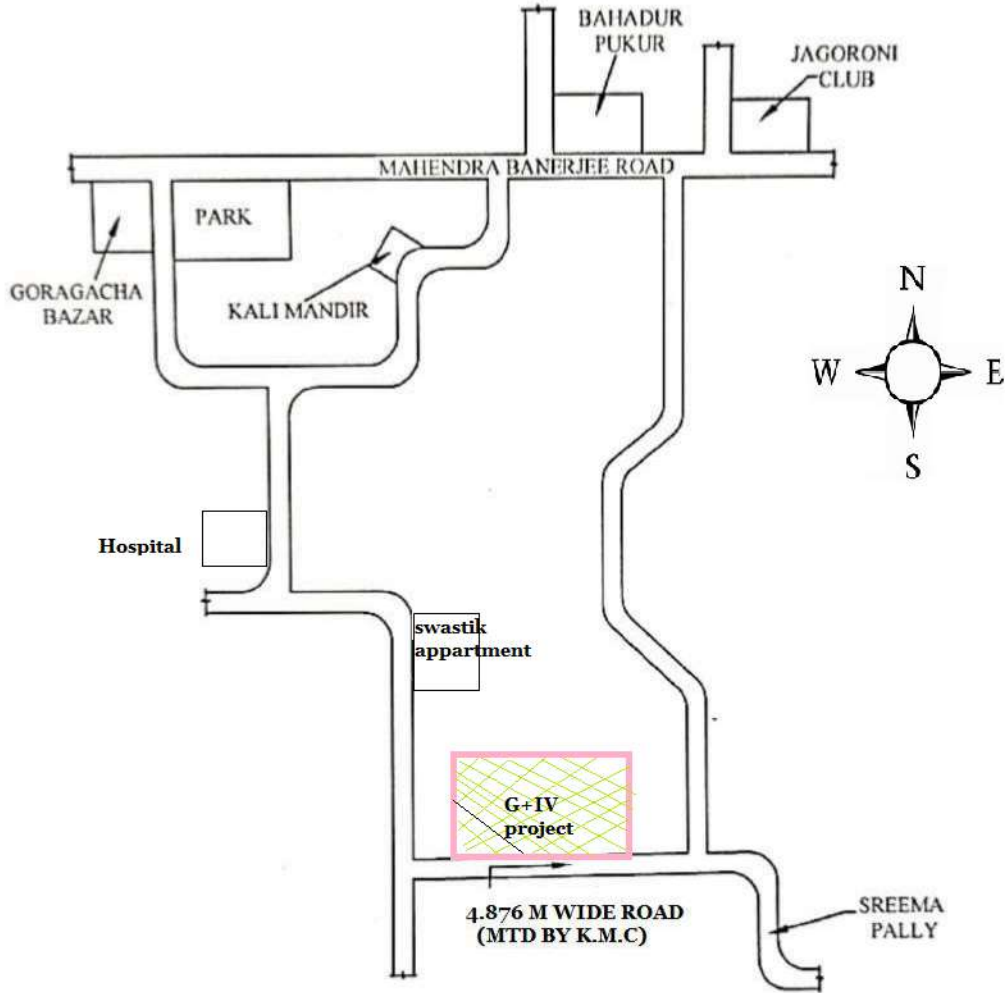


PREMISES NO -45, KK ROY CHOWDHURY ROAD, WARD NO-126, BR No-XVI



LOCATION PLAN

SCALE :- 1 : 4000

Co - ordinate in WGS 84 and site elevation (AMSL)

Reference points marked in the site plan of the proposal	Co - ordinate in WGS84		Site elevation (AMSL)
	Latitude	Longitude	
A*	<u>22°28'52.8"N</u>	<u>88°18'30.22"E</u>	4.27 M

Krishnendu Ray

KRISHNENDU RAY
LBS OF K.M.C.
LBS No: 1085, CLASS-I